

DESCRIPTION

- A yellow LED indicates the operation of the antenna.
- The LED flashes every second when the antenna is synchronised.
- The LED remains on when the antenna is not synchronised.
- The LED is off, if the antenna is not supplied with power.
- The LED is visible from under.

STANDARDS

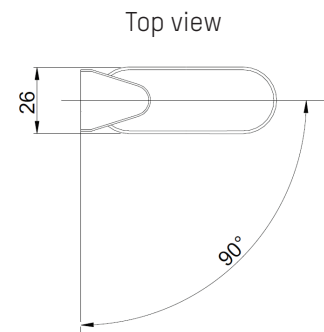
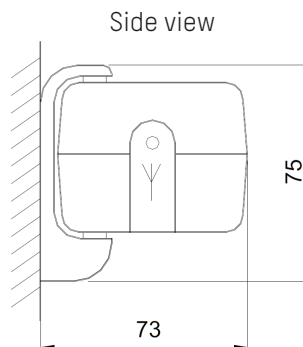
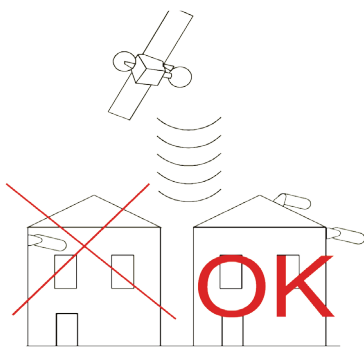
- EN 60950: Information Technology Equipment - Safety,
- EN 61000-6-1: Immunity of Information Technology Equipment,
- EN 61000-6-3: Emission of Information Technology Equipment.



GENERAL FEATURES

- **Gain of the passive antenna**..... +5 dBi.
- **Receiver**..... 12-channel, L1 = 1 575 MHz.
- **Transmitted data**..... NMEA 0183, transmission: RS485, 4800 bauds, 8 data bits, 1 stop bit, no parity.
- **Transmission**..... Every second the time message ZDA then GGA.
- **Connection**..... 1 cable.
- **Power supply**..... 5 to 15 V DC (from the SIGMA or the system to be synchronised).
- **Installation**..... Horizontal and outdoor installation on the roof or on a mast.
Possibility to install the antenna behind a window or under a plastic roof.
- **Cable**..... 4 wires section 0.25 mm², 20 m provided with the antenna.
- **Construction**..... Grey ABS casing with swivelling support to point to the sky, fixing with 1 screw Ø 4 mm.
- **Operating temperature**..... -30°C to +70°C.
- **Storage temperature**..... -40°C to +85°C.
- **Protection index**..... IP67, IK04.

DC Power	5 VDC	15 VDC
Maximal consumption	70 mA	30 mA
Maximal cable length	25 m	300 m



Dimensions in mm

REFERENCE

- 907 042..... GPS antenna