

DESCRIPTION

- The DCF receiver picks up the amplitude modulated time signals transmitted by the DCF transmitter based in Mainfligen (Germany).
- Signals are received over a large part of Europe.
- The time code includes hour, minute, day, date and a synchronizing pulse.
- This antenna automatically ensures the summer / winter time changeovers and guarantee absolute accuracy.
- A daily time code reception of a few minutes is sufficient to maintain the clock synchronisation.



See product page on
>> www.bodet-time.com <<



STANDARDS

- EN 300-220-3: Radio Standard.
- EN 301-489-3: EMC Standard for Radio Equipment.
- EN 60950: Information Technology Equipment - Safety.

GENERAL FEATURES

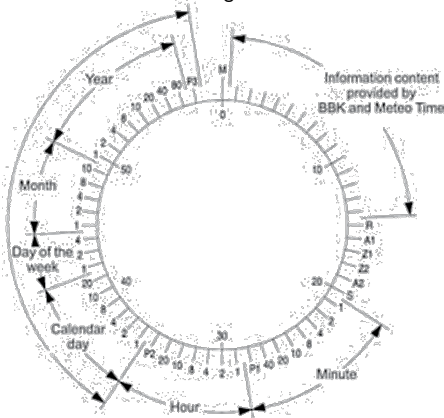
- **Receiver**..... 77.5 KHz.
- **Power supply**..... 8-20VDC.
- **Cable**..... Single 2-wire cable section 0,25mm²,
5-m cable provided with the antenna.
- **Connection**..... 1 cable and can be extended locally (max. 50m)
- **Construction**..... Grey ABS casing with integrated wall support and fixing with the Ø4 mm screw supplied.
- **Operating temperature**..... -20°C to +50°C.
- **Storage temperature**..... -40°C to +70°C.
- **Protection index**..... IP53 – IK04.
- **Weight**..... 170 g.



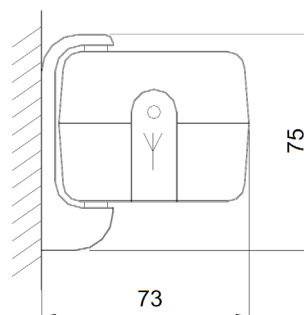
OPERATION

- A green LED indicates the status of the DCF antenna.
- The LED is blinking every second when the antenna is synchronized.
- The LED is blinking fast when the antenna is not synchronized.
- The LED is off when the antenna is not supply with power.

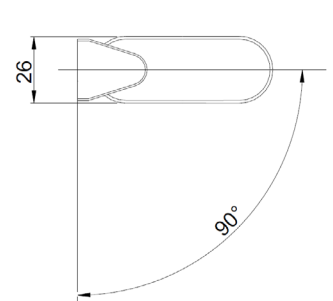
Time message content :



Side view



Top view



REFERENCE

- 907 026..... DCF antenna

Dimensions in mm

