

DESCRIPTION

- Indoor or outdoor clocks available in various sizes and colours.
- High brightness LED.
- LED colour available: red, white or yellow.
- Setting by control pad (2 keys inside the clock) or by wireless remote control 433.92 MHz.
- Optional synchronisation: minute impulse France Inter, DCF or GPS antenna (absolute time accuracy).
- Optional time distribution: AFNOR, DHF, NTP or PC.
- Single or double-sided display.



GENERAL FEATURES

- **Optimal viewing distance**..... 60 metres with a viewing angle of 160°.
- **Setting of luminosity**..... Automatic (sun, cloud or night).
- **Setting of alternation duration**..... 2 to 6 seconds.
- **Display of time**..... date and temperature, counting / countdown, rate of chlorine, rate of humidity. Fix or alternate (manual input for the rate of chlorine and humidity).
- **Time display**..... 12 or 24 h mode.
- **Time changeover**..... Automatic summer/winter.
- **Temperature display**..... In Celsius (°C) or Fahrenheit (°F) from -99° to +99.9°.
- **Display**..... °C or °F in the menu. Display resolution: 0.1°C.
Accuracy: ±0.5°C from -10 to +85°C.
Offset adjustment, possible from - 9.9° to + 9.9°.
Display test menu.
- **869 MHZ HF temperature option**..... 50 meters communication distance (through a wall).
Transmission of the data to the clock every 15 seconds.

MECHANICAL FEATURES

- **Construction**..... Black aluminium casing. IP 54, IK 07.
- **Window**..... Antiglare protection glass.
- **Operating temperature**..... -20°C to +50°C.
- **Humidity**..... 93% at 40°C.
- **Electronic cards**..... Tropicalized.
- **Mounting**..... Wall mounted or optional bracket.
- **Weight**..... 8.5 Kg.



Wireless remote control

ELECTRICAL FEATURES

- **Power supply**..... 115/230VAC 50/60HZ.
- **Rated current**..... 0.3A to 115VAC ; 0.15A to 230VAC single-sided.
0.5A to 115VAC ; 0.25A to 230VAC double-sided (with repeater).

SYNCHRONISATION OPTIONS

- **939 051**..... AFNOR/IMPULSE synchronisation card
- **939 052**..... DHF receiver (with antenna) for HF temperature and DHF time
- **939 053**..... PC /ASCII synchronisation card for data display
- **939 057**..... NTP synchronisation card
- **939 055**..... Relay control option card
- **939 056**..... AFNOR synchronisation card

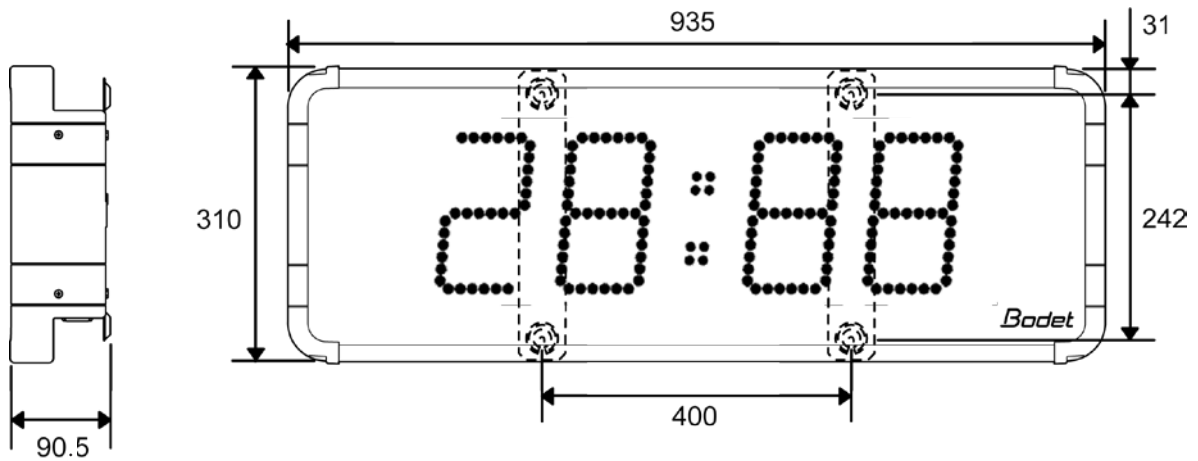
REFERENCES

- **939 321*** HMT LED 15 cm
- **939 229*** HMT LED 15 cm slave display
- **935 011**..... Temperature probe (with 5m cable)
- **939 031**..... Double-sided bracket HMT LED 15 cm
- **939 040**..... Wireless remote control
- **939 041**..... Wireless Temperature Probe
- **939 045**..... Wired Air Temperature / Humidity probe (5m cable)
- **915 296**..... Synchronisation cable kit (to synchronise 2 HMT that are not attached)

*Add the letter corresponding to the colour: R = red, J = yellow, W = white.

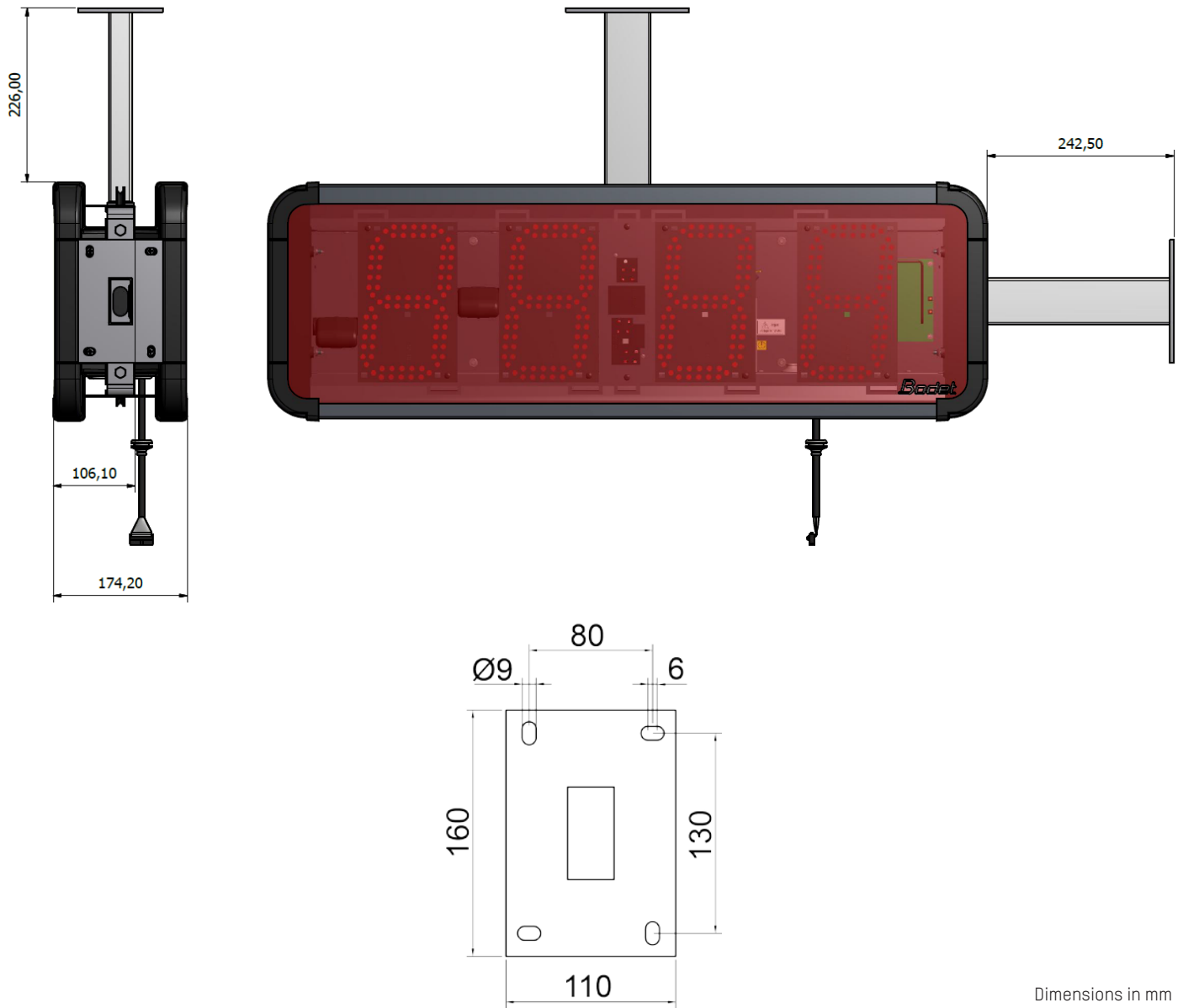


WALL MOUNTING



MOUNTING ON HANGING BRACKET

- The hanging bracket makes it possible to hang the clock from the ceiling or from the wall.



Dimensions in mm