

DESCRIPTION

- SMD LED technology for indoor installation.
- Principally used in operating theatres.
- Hours, minutes and seconds display.
- Fixed or alternate time with date or week number display or timer display.
- Height of digits 5 cm, optimal viewing distance: 20 metres.
- Angle of vision: 120°.
- LED colours: red or green.
- Models: independent, impulse, AFNOR and NTP.



STANDARDS

- EMC: EN55032, EN55024.
- LVD: EN60950.
- RED (radio models): EN301-489-3.

TECHNICAL FEATURES OF THE CLOCK

GENERAL

- **Adjustable brightness**..... 4 levels.
- **Display mode**..... 12 or 24 hour.
- **Eco mode**..... Programmable energy saving over a time period.
- **Time change**..... Automatic summer/winter time changeover and perpetual calendar.
- **Time base backup**.....
 - Independent model: 15 days in case of power failure.
 - Impulse model: in case of power failure, data saving and impulses reception without battery.
 - Synchronised models: at each start the clocks wait for the synchronisation signal.
- **Time accuracy**..... 0.2 second/day (except NTP model: precision dependent on the time server).
- **Operation**..... Silent.
- **Digit**..... 7 segments with 3 LEDs each.
- **Hours and minutes separating**..... Colon made of LEDs.
- **Configuration**..... 2 capacitive buttons.
- **NTP model**.....
 - Synchronisation unicast, multicast and by DHCP.
 - Advanced configuration from the embedded web server.

MECHANICAL

- **Construction**..... Stainless steel casing (IP65, IK07), glass cristal and keyboard compliant with operating theaters cleaning requirements.
- **Mounting**..... Flush mounting with 4 holes (screws not provided).
- **Operating temperature range**..... -5 to +55°C.
- **Weight**..... 0.99 Kg.
- **Dimensions**..... See on the back.

ELECTRICAL

- **Power supply**.....
 - Independent, impulse and AFNOR models: 100-240VAC.
 - NTP model: PoE (Power over Ethernet) – class 0.
- **Consumption max**..... 100-240V AC ; 75-50 mA.
NTP/PoE receiver ; 4 W
- **Electric protection**..... NTP/PoE model: Class 3.
Other Synchronisations: Class 2.

STYLE 5S OP REFERENCES (BY SYNCHRONISATION)



Red

946 311
946 321
946 351
946 371



Green

946 312
946 322
946 352
946 372

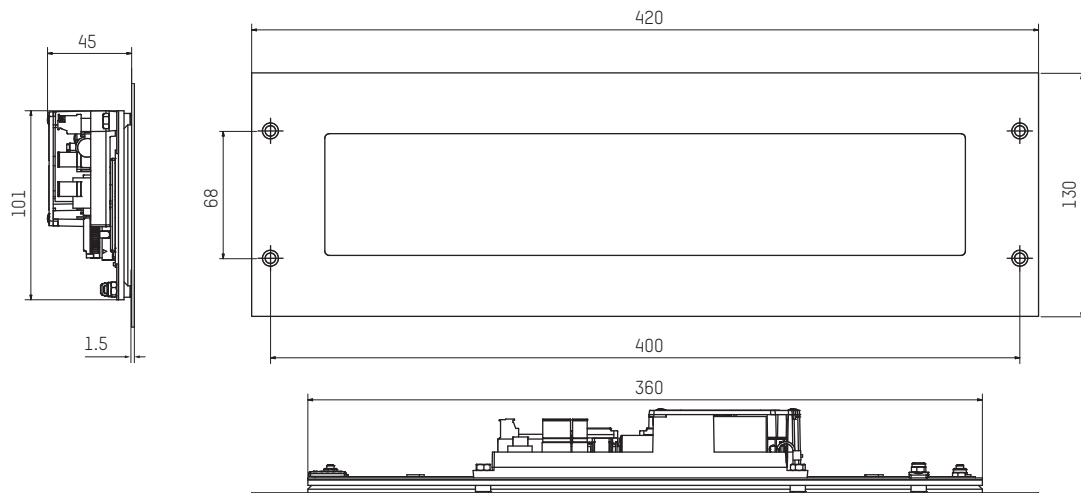
Independent model
Impulse model
AFNOR model
NTP model

946 012 Back cover for flush mounting

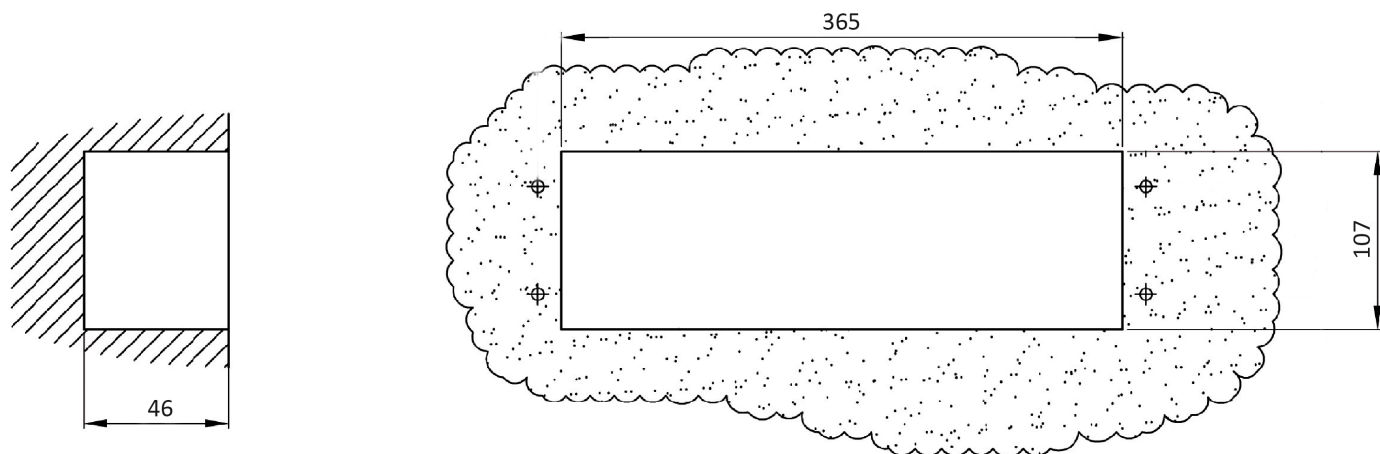
Add a «C» at the end of the reference to include the Style Timer Controller.
Ex.: 946 311C => Style 5S OP Independent with control unit – red LED

STYLE 55 OP

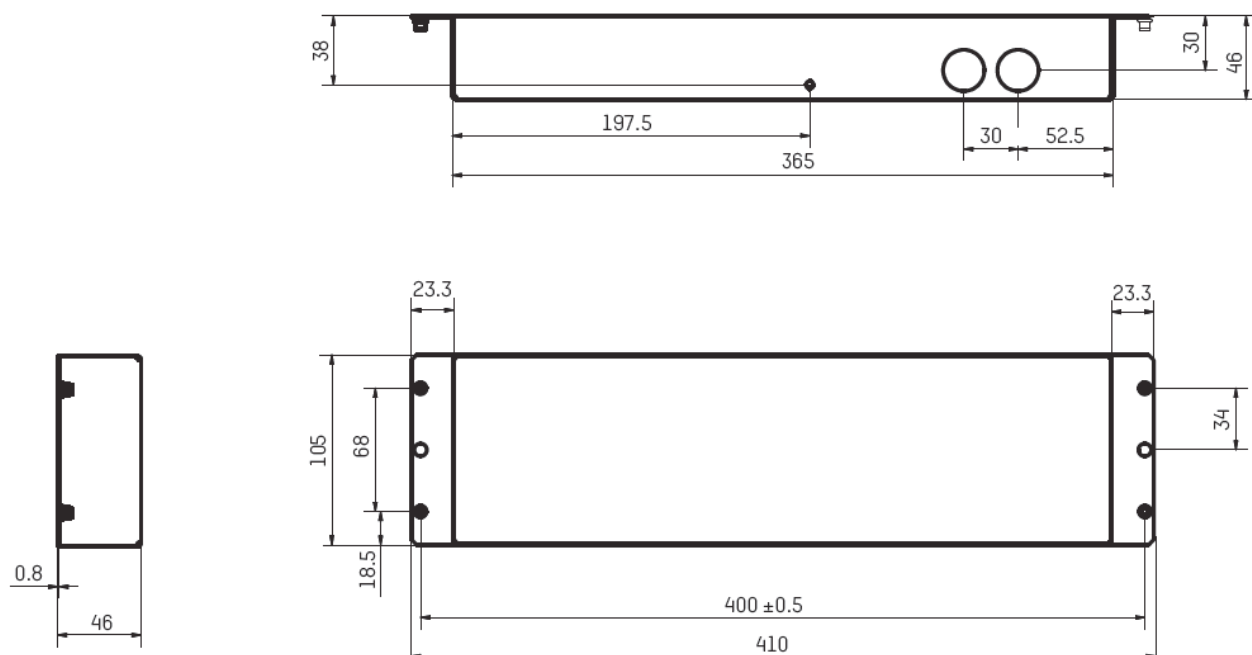
Clock dimensions in mm:



Wall cut-out dimensions in mm:



Flush mounting back cover dimensions in mm:



Réf.: 643M61109/20

TECHNICAL FEATURES OF THE STYLE TIMER CONTROLLER

GENERAL

- **Stopwatch**..... Hour - minute - second from 0 to 23:59:59.
- **Control unit**..... Waterproof control unit with touch sensitive keys for easy cleaning:
 - Time display mode key with LED indicator.
 - Stopwatch display mode key with LED indicator.
 - Timer display mode key with LED indicator.
 - Three keys (HOUR-MIN-SEC) for adjustment of hours, minutes and seconds.
 - Start/stop key: successive pressings for start/stop of the stopwatch.
 - Split key: split time display during 5 seconds.
 - Reset key: resetting to zero of the stopwatch.
- **Control**..... Up to 10 clocks.

MECHANICAL

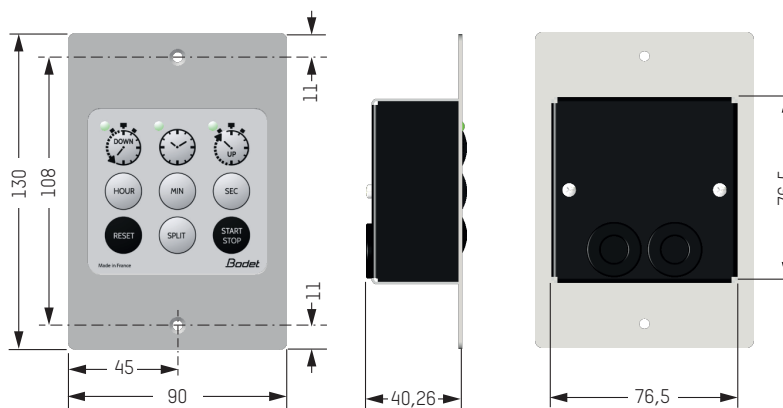
- **Binding**..... Flush mounting (screws not provided).
- **Operating temperature**..... -5 to 55°C.
- **Protection index**..... The front face IP 65.
- **Weight**..... 190 g.

ELECTRICAL

- **Connection**..... 2-pair telephone cable 0.5 mm. Max length: 20 meters.
5 m cable supplied with the controller.
- **Power supply**..... Power by the clock.



Control unit dimensions in mm:



Flush mounting dimensions in mm:

